

## TECHNICAL DATA SHEET

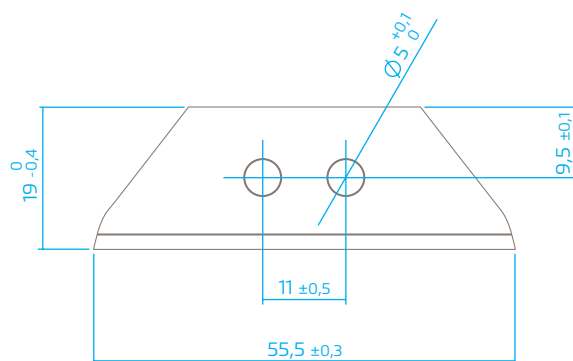
### TRAPEZOID BLADE NO. 60099

TRAPEZOID BLADE NO. 60099 from MARTOR is a high-quality blade made of steel. It is very sharp and has two cutting edges that can be used one after the other for a long service life. The blade is 55.5 mm long, 19.0 mm wide and 0.63 mm thick. The deep edge makes cutting easier and the rounded tips increase user safety.

TRAPEZOID BLADE NO. 60099 is available under order number 60099.70 in a dispenser of 10.

#### PRODUCT DETAILS

Order No.	NO. 60099.70
Blade size (L x W)	55.5 x 19 mm
Material thickness	0.63 mm
Weight Blade	3.7 g
Basic material	Steel
Ground	deep-edged, 2-sided ground-edge
Blade facets	Double bevel edge-ground
Safety feature	rounded blade tips
Blade characteristics	2-cutting edge blade



#### PACKAGING DETAILS

Packaging unit (PU)	10 in safety dispenser
Size PU	64.4 x 26 x 16 mm
Weight PU	47.0 g
EAN Code PU	4002632916847
Quantity in outer pack	10 safety-dispensers
Size outer pack	166 x 28 x 67 mm
Weight outer pack	480 g
EAN Code outer pack	4002632968167
Customs tariff number	82119400



#### PRODUCT FEATURES

##### Technical features



Rounded-tip trapezoid blade



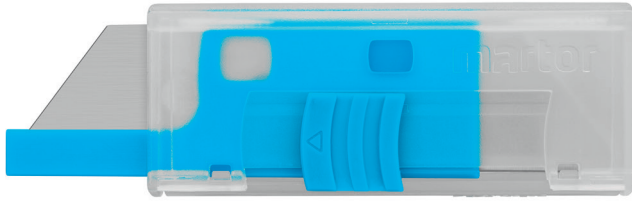
2-sided ground-edge



deep-edged



2-cutting edge blade



## MOUNTABLE IN

---

The blade can be used in the following MARTOR knives: SECUPRO 625, SECUPRO MEGASAFE, SECUPRO MAXISAFE, SECUNORM 525.

## SAFETY ADVICE

---



**CAUTION: The blade is sharp and can result in serious and deep cuts. Therefore, never reach into the blade!**

Only use cutting tools that are in perfect condition with sharp, clean and undamaged MARTOR blades. Also make sure that the knife's operation is not impaired by the material to be cut or by dirt or particle deposits around the blade.

**1. Replacement of spare parts:** Replace any blades that become dull at the right time! Dispose of old blades in a proper fashion. They should not be placed in a waste paper bin, as this poses a considerable danger of injuries.

**2. Non-use of the knife:** Always secure the blade in such a way (depending on product type) that injuries due to cuts are excluded. Store the knife in a secure place.

**3. Care instructions:** To guarantee a long service life, always keep the knife clean and do not expose it to unnecessary soiling and humidity.

**CAUTION: No liability will be assumed for consequential losses. Subject to technical changes and errors! This knife does not belong in the hands of children!**

## CONTACT

---

MARTOR KG | Lindgesfeld 28 | 42653 Solingen | Germany  
T +49 212 73870-0 | info@martor.de | www.martor.com